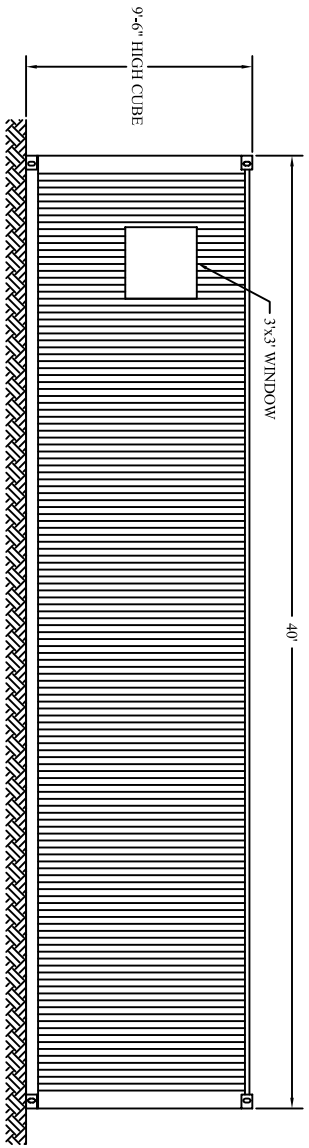
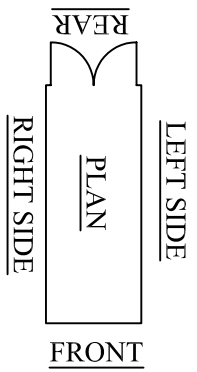
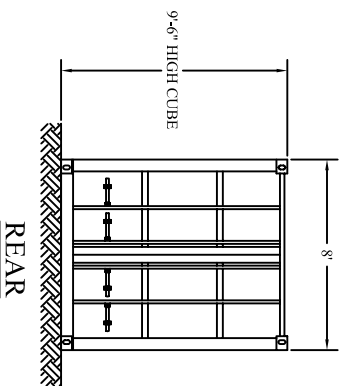


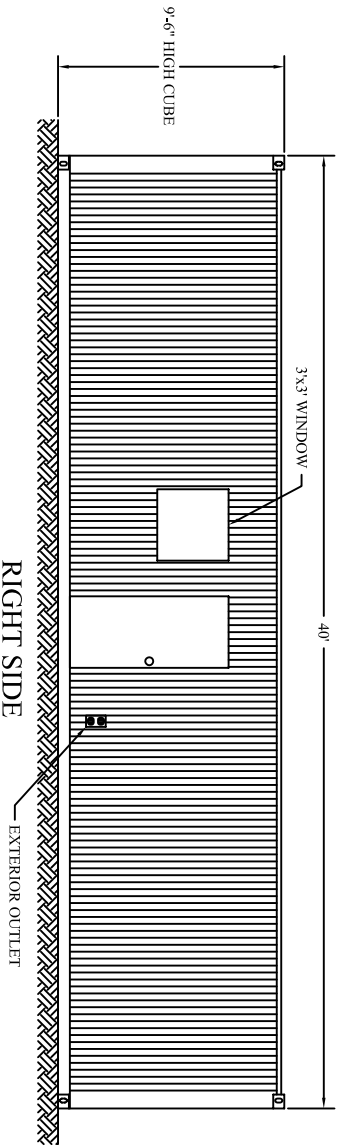
PLAN



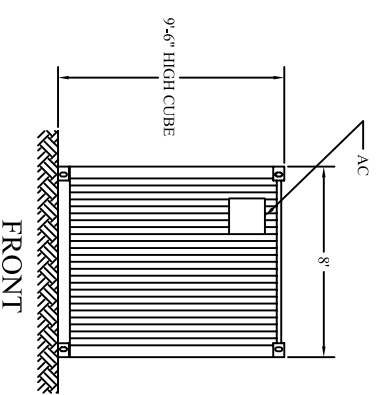
LEFT SIDE



REAR

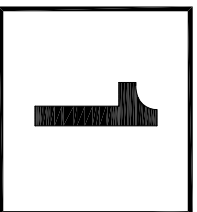


RIGHT SIDE



FRONT

Notes:



**SQUARE 1 CONTAINERS**

Ernie Williamson  
P.O. Box 1364  
La Porte, TX, 77257  
877-470-1662 - 281-470-2919 Fax  
ernie@square1containers.com

Date : 01-11-07  
Drawing Number: ST-C-1021

-  DUPLEX OUTLET
-  PANEL BOX
-  FLUORESCENT LIGHT

Legend: