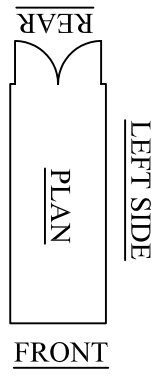


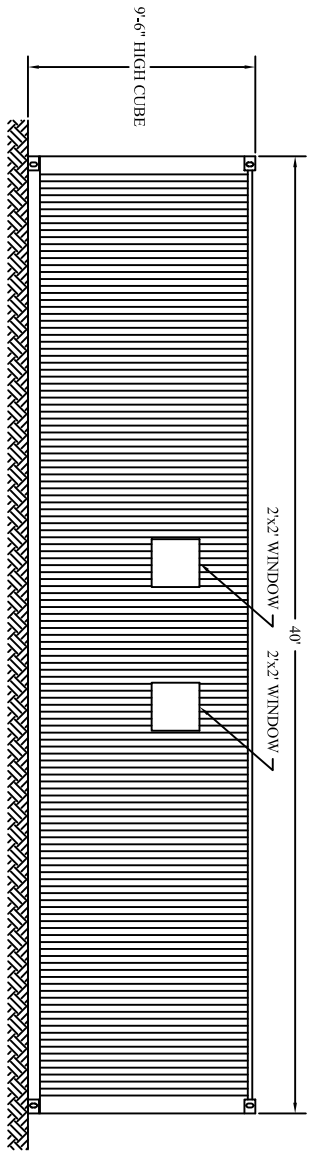
PLAN



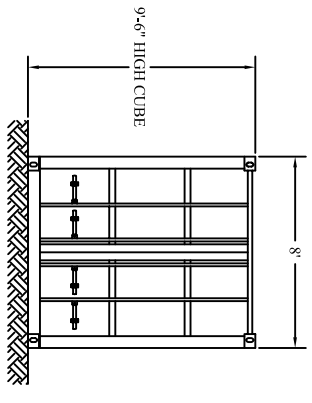
REAR

PLAN

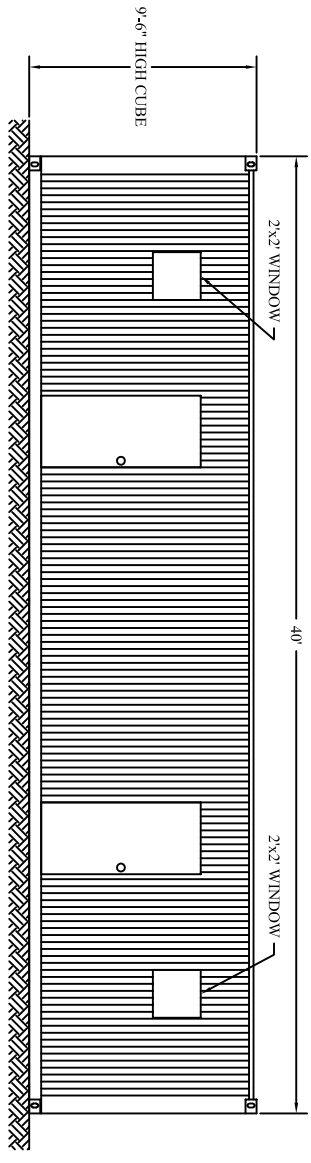
FRONT



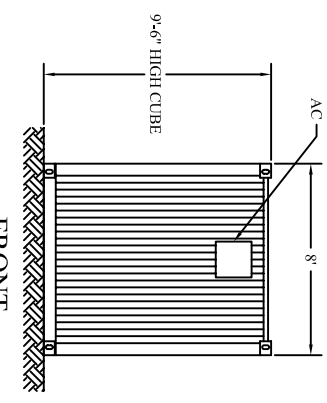
LEFT SIDE



REAR



RIGHT SIDE



FRONT

- Notes:
1. (4) Quad Outlets
  2. (4) Duplex Outlets
  3. (6) Lights
  4. (2) Phone Jacks
  5. (1) Panel Box
  6. (2) Light Switches
  7. (1) AC Unit
  8. (4) Windows
  9. (2) Doors
  10. (1) AC Unit
  11. Weld Cargo Doors

**S Q U A R E**

**CONTAINERS**

Ernie Williamson  
 P.O. Box 1394  
 La Porte, TX, 77257  
 877-470-1662 - 281-470-2919 Fax  
 ernie@square1containers.com

Date: 2/22/05  
 Drawing Number: SIC-1002

Legend:

- LIGHT SWITCH
- PHONE
- QUAD OUTLET
- DUPLEX OUTLET
- PANEL BOX
- FLUORESCENT LIGHT