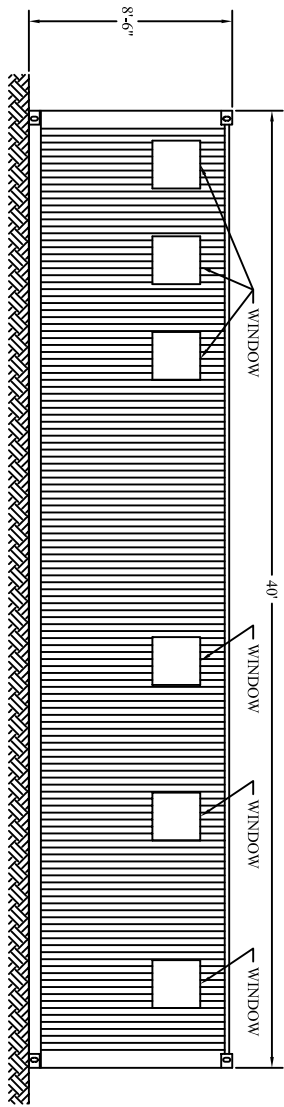
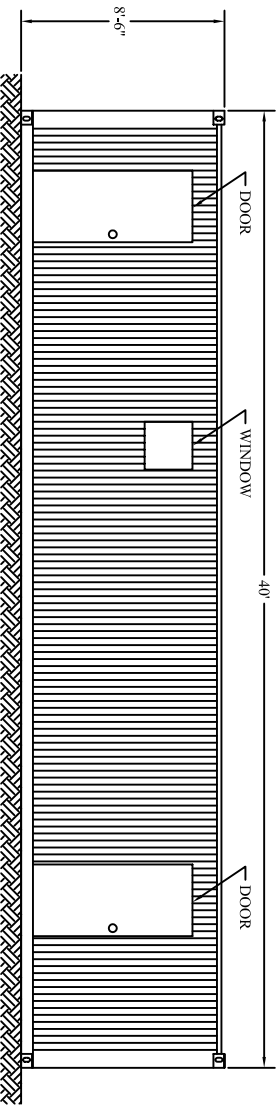


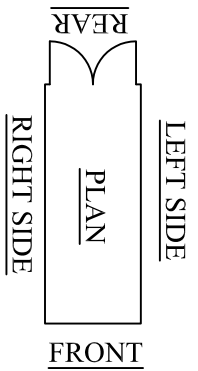
PLAN



LEFT SIDE



RIGHT SIDE

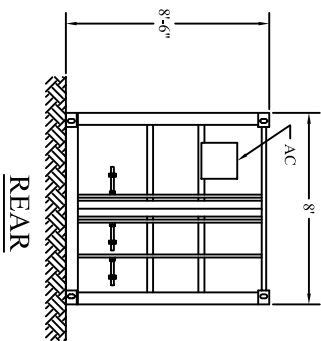


LEFT SIDE

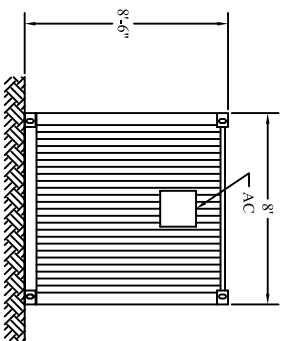
REAR
PLAN

RIGHT SIDE

FRONT



REAR



FRONT

Notes:

SQUARE
CONTAINERS

Ernie Williamson
P.O. Box 1364
La Porte, TX, 77257
877-470-1662 - 281-470-2919 Fax
ernie@squarecontainers.com

Date : 11/2/06
Drawing Number: SIC-1017

- ◆ PHONE
- ☐ FLUORESCENT LIGHT
- ☐ LIGHT SWITCH
- ☐ DUPLEX OUTLET
- ☐ PANEL BOX

Legend: