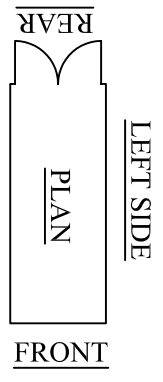


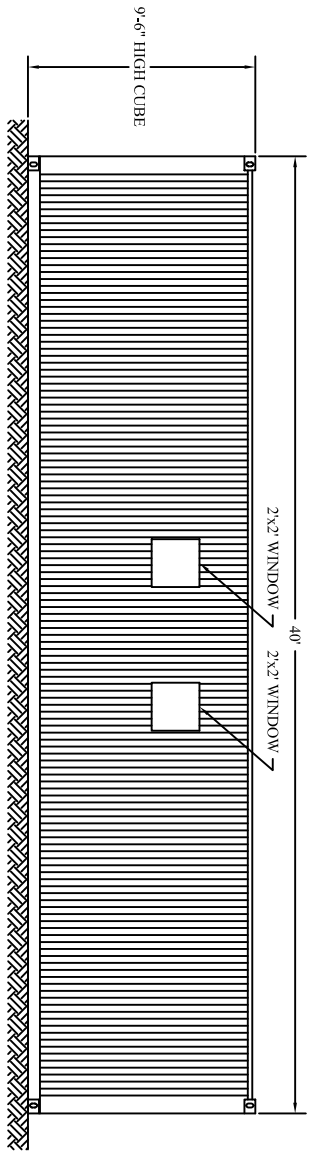
PLAN



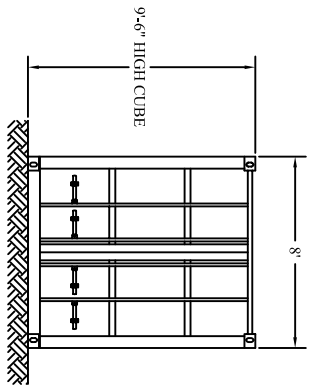
LEFT SIDE

RIGHT SIDE

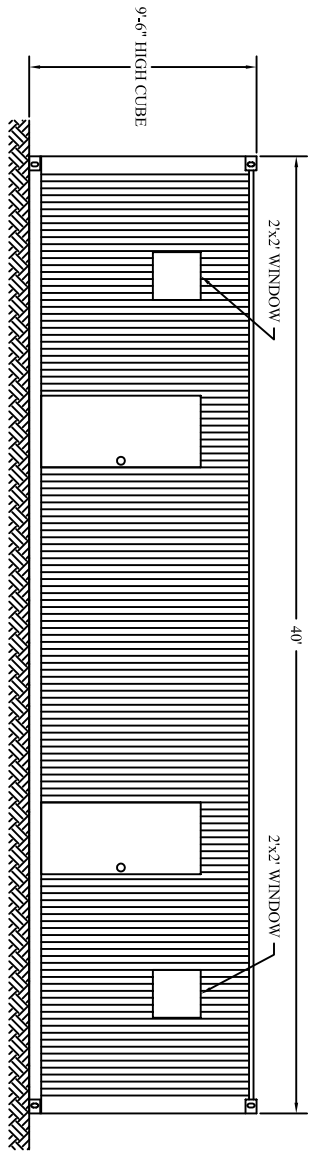
FRONT



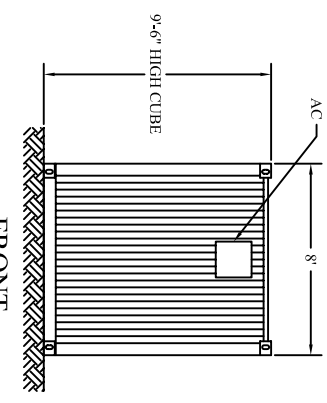
LEFT SIDE



REAR



RIGHT SIDE



FRONT

- Notes:
1. (4) Windows
 2. (2) Doors
 3. (1) AC Unit
 4. Weld Cargo Doors

S Q U A R E

CONTAINERS

Ernie Williamson
 P.O. Box 1394
 La Porte, TX, 77257
 877-470-1662 - 281-470-2919 Fax
 ernie@square1containers.com

Date: 01/09/06
 Drawing Number: SIC-1013

Legend: